

SCALA UTOPIA™

Product specification sheet

All Utopia in a 3-way floorstanding loudspeaker with moderate size, that's Scala Utopia. Endowed with superlative performance, Scala Utopia delivers incredible musicality. Everything is easy for this loudspeaker, everything becomes obvious, music is naturally flowing. Scala Utopia is not even difficult to set up or install. That's a prestigious and fascinating loudspeaker, very high-end, without the common drawbacks.



- A reference 3-way floorstanding loudspeaker
- Very high-end but with moderate size
- Utopia 3 technologies: Beryllium, IAL2™, Focus Time™, OPC+™, W™, Power Flower™, Gamma Structure™
- Sound personalization with adjustable bass and treble levels
- 100% Focal manufacture



SCALA UTOPIA™

Product specification sheet

- 1 6 1/2" (16.5cm) Power Flower midrange "W" driver**

 - > 3rd generation W composite sandwich technology, laser cut-out
 - > Power Flower magnet, maximal power and reduced magnetic leaks
- 2 IAL2 pure Beryllium inverted dome tweeter**

 - > very large bandwidth from 1 to 40kHz
 - > IAL2 (Infinite Acoustic Loading): low resonance frequency at 580Hz
 - > definition, rapidity and transparency of the midrange/treble
- 3 11" (27cm) "W" woofer**

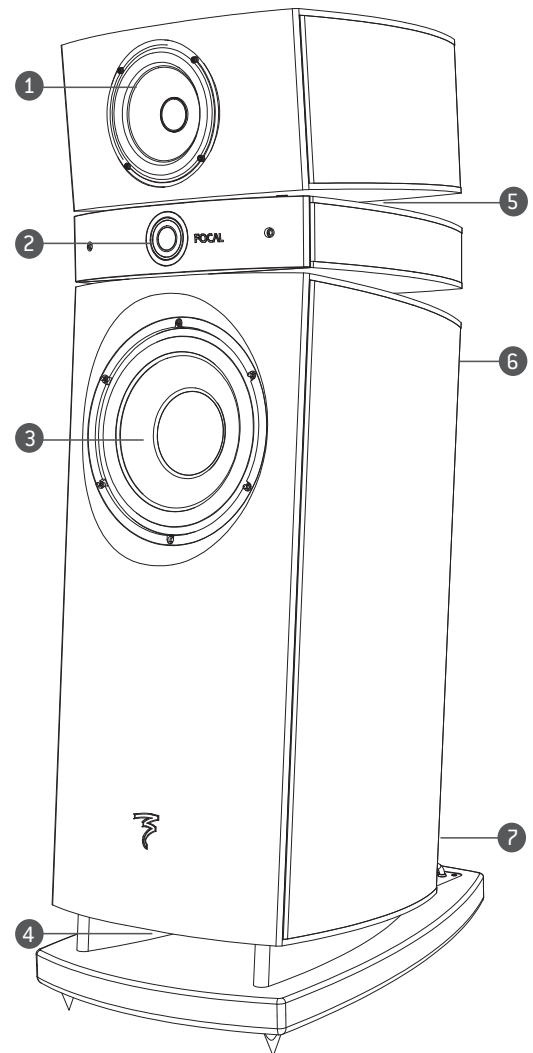
 - > 3rd generation W composite sandwich technology, laser cut-out
 - > powerful permanent magnet
- 4 High section laminar port**

 - > no air flow or distortion noises
 - > no dynamic compression of the bass
- 5 Focus Time**

 - > mechanical phase optimization of the drivers
 - > driver orientation towards the listener
- 6 Gamma Structure**

 - > MDF panels up to 2" (5cm) for a stable mechanical reference
 - > anti-vibration heavy structure, optimized by vibratory cartography
- 7 OPC+ filtering**

 - > Bass adjustment on ±1dB, treble on ±1.5dB
 - > audiophile type components
 - > WBT connectors



Removable tweeter and woofer grilles

Type	3-way, floorstanding bass-reflex loudspeaker
Drivers	11" (27cm) "W" woofer Power Flower 6 1/2" (16.5cm) "W" Midrange IAL2 pure Beryllium inverted dome 1" (27mm) tweeter
Frequency response (+/- 3dB)	28Hz - 40kHz
Response at - 6dB	24Hz
Sensitivity (2.83V / 1m)	92dB
Nominal impedance	8 Ω
Minimal impedance	3.1 Ω
Filtering frequencies	250Hz / 2500Hz
Recommended amp power	40 - 500W
Dimensions (H x L x D)	49 1/8 x 15 1/2 x 26 3/8" (1247 x 393 x 670mm)
Weight	187.4lb (85kg)

