

# DIABLO UTOPIA™

## Product specification sheet

Compact, distinguished and captivating, Diablo Utopia is the ultimate vision of the reference bookshelf loudspeaker, in the purest Focal's tradition. Largely inspired from the Grande Utopia EM, it sets new milestones in the bass thanks to its new patented 6<sup>1/2"</sup> [16.5cm] Power Flower, with almost no saturation, and an integrated resonator. Fixed on a dedicated stand, Diablo Utopia enchants the midrange and the treble with its definition, demonizes the bass with a density and a power handling never reached so far.



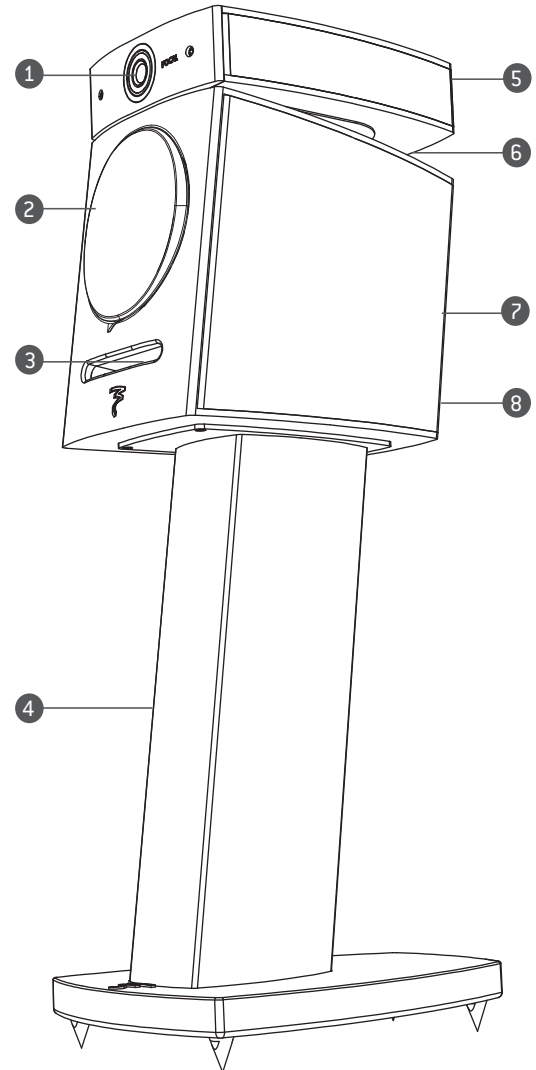
- A reference compact loudspeaker
- New Power Flower LDC (Low Dynamic Compression) woofer
- Helmholtz resonator
- Utopia 3 technologies: Beryllium, IAL2™, Focus Time™, W™, Power Flower™, OPC™, Gamma Structure™
- Dedicated aluminum/MDF black lacquered stand
- 100% Focal manufacture



# DIABLO UTOPIA™

## Product specification sheet

- 1 IAL2 pure Beryllium inverted dome tweeter**
  - > very large bandwidth from 1 to 40kHz
  - > IAL2 (Infinite Acoustic Loading): low resonance frequency at 580Hz
  - > definition, rapidity and transparency of the midrange/treble
- 2 6 1/2" (16.5cm) Power Flower "W" woofer/midrange driver**
  - > 3<sup>rd</sup> generation W composite sandwich technology
  - > new no saturation surround/spider coupling (patent pending)
  - > Power Flower magnet, maximal power and reduced magnetic leaks
- 3 Laminar port**
  - > no air flow or distortion noises
  - > no dynamic compression of the bass
- 4 Diablo Utopia Stand**
  - > heavy stand of 41.8lb (19kg) with an aluminum body filled with sand
  - > the loudspeaker is fixed on the base for a total outflow of vibrations
  - > piano black lacquered MDF stand with massive decoupling spikes
- 5 Helmholtz resonator**
  - > tweeter compartment cavity tuned as a resonator
  - > smooths the bass impedance
  - > suppresses the typical resonance in the mid-bass of compact loudspeakers
- 6 Focus Time**
  - > mechanical phase optimization of the drivers
  - > driver orientation towards the listener
- 7 OPC filtering**
  - > phase optimal control for a perfect 3D image
  - > audiophile type components
  - > WBT connectors
- 8 Gamma Structure**
  - > MDF panels up to 2" (5cm) for a stable mechanical reference
  - > anti-vibration heavy structure, optimized by vibratory cartography



Removable tweeter and woofer grilles

Type	2-way, compact bass-reflex loudspeaker
Drivers	Power Flower "W" 6 1/2" (16.5cm) Woofer IAL2 pure Beryllium inverted dome 1" (27mm) tweeter.
Frequency response (+/- 3dB)	44Hz - 40kHz
Response at - 6dB	40Hz
Sensitivity (2.83V / 1m)	89dB
Nominal impedance	8 Ω
Minimal impedance	4 Ω
Filtering frequencies	2500Hz
Recommended amp power	25 - 200W
Dimensions (H x L x D)	16 <sup>15/16</sup> x 10 <sup>3/16</sup> x 16 <sup>13/16</sup> " (431 x 258 x 427mm)
Weight	44lb (20kg)

