

AVC-A1HD

AV Surround Amplifier

DENON

Reference, Next Generation HD A/V Surround Amplifier featuring Advanced Connectivity, Wi-Fi Network Audio Streaming and an interface that enhances your level of entertainment enjoyment.



Features

State-of-the-art Denon Solutions for Maximising Content Quality

- THX Ultra2 certified 150W x 7ch power amplifier
- All new circuit layouts that shorten audio and video signal paths for best picture and sound
- Discrete Devices for ultimate performance in each circuit block (D.D.S.C.-HD)
- Dolby TrueHD and DTS-HD Master Audio decoders
- To preserve original sound quality for the room's acoustics at any volume level, Audyssey Dynamic EQ loudness correction technology
- Realta sxT2 HQV processing for i/p and scaling
- Deep Color (30/36-bit) and xvYCC broader color space support
- Discrete construction and circuitry for highest quality video processing
- HDMI to HDMI scaling up to 1080p
- HD/SD video noise reduction functionality

Connectivity & Future-ready Expandability

- Network Audio and Photo Streaming
- Compressed Audio Restorer to enhance digital music files

Ease-of-Use

- New user interface for easy operation, setup and digital media browsing (G.U.I.)
- GUI-assisted operation even during 1080p output from HDMI
- Dual HDMI outputs enabling simultaneous output to video projector and flat panel
- Three Analog and One Digital, Four Zone multi-source capability
- Zone 2 OSD with text, Album art is also available
- Web setup, save and load all settings via Ethernet



State-of-the-art Denon Solutions for Maximising Content Quality

• Sophisticated Construction for the Ultimate A/V playback

- Fully separated Audio, Video, Power Amplifiers and Power Supplies allow for a cleaner and clearer signal path
- High current Toroidal Power Supply to drive discrete mono block amplifier channels
- 6 individual transformers to supply power to each discrete circuit
- Direct Mechanical Ground to minimise mechanical vibration from transformer and radiators

• Dynamic Discrete Surround Circuit, D.D.S.C.-HD

- 3 All New 32-bit floating point DSPs
- Master clock design for more accurate processing and less jitter noise
- Advanced AL24 processing provides more dynamic range
- Audio DACs in differential mode (2 per audio channel) on all output channels
- Audio ADCs in differential mode (2 per audio channel) on all analog input channels

• Refined calibration technology to improve a acoustical condition of any room.

- Newly improved Audyssey MultEQ XT
- New tower type microphone for more accurate measuring
- Up to eight measurement points
- New filtering ALFC (Adaptive Low Frequency Correction) for higher resolution processing in the low frequency band

• Full 10-bit processing video circuit

- Multi Cadence Detection for accurate i/p conversion
- 1080/24p pass through
- Analog video to HDMI scaling up to 1080p
- 12-bit/216-MHz video encoder and decoder with NSV

Connectivity & Future-ready Expandability

• Digital Media Connectivity

- Network Audio and Photo Streaming
- Playback and control music files from PC and DLNA Servers
- AAC, WMA , MP3, FLAC, WAV file support
- Connect to over 7,000 internet radio stations
- JPEG Photo slideshow
- Connect to your network via Ethernet or Wi-Fi (802.11 b/g compatible)
- Web system control via any PC on the network
- iPod audio, photo and video playback (optional ASD-1R/3N/3W)
- Mass storage support USB for audio and photo playback (MTP compatible)

Ease-of-Use

- Album art support (iPod/Network/USB)
- Title text (iPod/Network/USB)
- Multi language support (EN, DE, FR, IT, ES, NE, SV, JP)

Multi-Zone Capabilities

- Digital to analog conversion for multi-zone output
- Analog to digital conversion for multi-zone digital output (only Zone2)
- Zone 2 equipped with dedicated video decoder (+N.S.V.) and encoder
- Independent zone 2 component output
- Dual component outputs for main zone
- BNC connectors for component input/output
- IR Remote in/out ports
- +12V, 250mA trigger x 4 outputs
- RS-232C control x2
- Optional RC-7000CI/7001RCI 2-way control ready

Terminals

| IN | | | |
|-----------------------|------------------|--|------------|
| HDMI | | | 6 |
| Component | | | 6 (1: BNC) |
| S-Video | | | 8 |
| Composite | | | 8 |
| Analog audio | | | 11 |
| EXT. In | | | 7.1 ch |
| Digital OPT | | | 5 |
| Digital COAX | | | 6 (2: BNC) |
| Denon Link 3rd | | | 1 |
| OUT | | | |
| HDMI monitor | | | 2 |
| Component | Main monitor | | 2 (1: BNC) |
| | Zone 2 monitor | | 1 |
| S-Video | REC | | 3 |
| | Monitor / Zone 2 | | 1 / 1 |
| Composite | REC | | 3 |
| | Monitor / Zone 2 | | 1 / 1 |
| | Zone 3 | | 1 |
| Analog audio | REC | | 3 |
| | Zone 2 / Zone 3 | | 1 / 1 |
| Analog preout | | | 9.3 ch |
| Digital optical | REC | | 2 |
| | Zone 2 | | 1 |
| | REC / Zone 4 | | 1 |
| Others | | | |
| Trigger +12 V, 250 mA | | | 4 |
| RS-232C | | | 2 |
| Tuner antenna AM/FM | | | 1 / 1 |
| Remote In/Out | | | 1 / 1 |
| Ethernet | | | 1 |
| Wi-Fi (WLAN Antenna) | | | 1 |
| USB | | | 2 |
| Dock control | | | 1 |
| Setup mic | | | 1 |

Main Specifications

Power Amplifier Section

Rated output *THD figures are power amp stage values.

| | |
|---------------|--|
| Front | 150 W + 150 W (8 ohms, 20 Hz - 20 kHz) |
| | 170 W + 170 W (6 ohms, 1 kHz with 0.7% T.H.D.) |
| Centre | 150 W (8 ohms, 20 Hz - 20 kHz) |
| | 170 W (6 ohms, 1 kHz with 0.7% T.H.D.) |
| Surround | 150 W + 150 W (8 ohms, 20 Hz - 20 kHz) |
| | 170 W + 170 W (6 ohms, 1 kHz with 0.7% T.H.D.) |
| Surround back | 150 W + 150 W (8 ohms, 20 Hz - 20 kHz) |
| | 170 W + 170 W (6 ohms, 1 kHz with 0.7% T.H.D.) |

Pre-amplifier Section

Input sensitivity/impedance

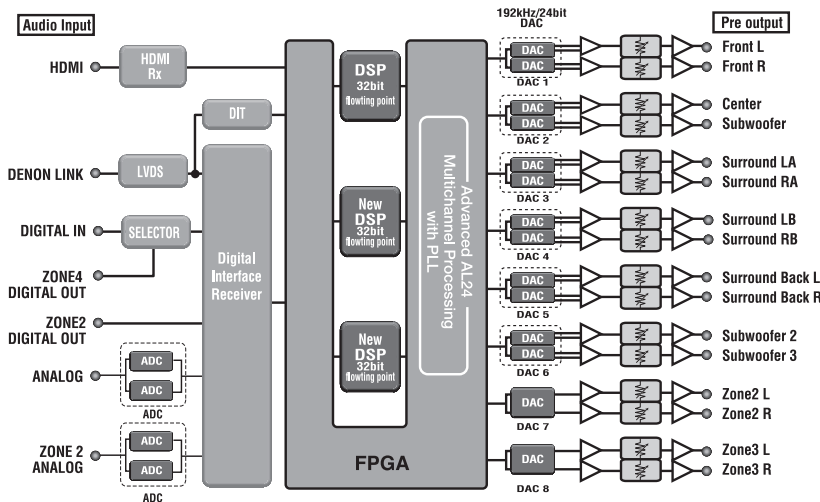
| | |
|--------------|-----------------|
| PHONO(MM) | 2.5 mV |
| Audio inputs | 200 mV/47 kohms |

Output level/Load impedance

| | |
|---------------|-------|
| Audio outputs | 1.2 V |
|---------------|-------|

General

| | |
|----------------------|---------------------------|
| Power supply | AC 230 V, 50 Hz |
| Power consumption | 630 W (Standby: 0.3 W) |
| Dimensions W x H x D | 434 x 217 x 500 mm |
| Weight | 29 kg |



AVC-A1HD AUDIO BLOCK DIAGRAM



*Design and specifications are subject to change without notice.
 *Dolby and the double-D symbol are registered trademarks of Dolby Laboratories.
 *DTS is a registered trademark & the DTS logos and symbol are trademarks of DTS, Inc.
 *HDMI, the HDMI logo and High-Definition Multimedia Interface are trademarks or registered trademarks of HDMI Licensing LLC.
 *HDCD ®, High Definition Compatible Digital ® and Microsoft® are either registered trademarks or trademarks of Microsoft Corporation in the United States and/or other countries.
 *Audyssey MultEQ and Audyssey Dynamic EQ are trademarks of Audyssey Laboratories, Inc.
 *NSV is a registered trademark of Analog Devices, Inc.
 *Microsoft, Windows Media, Windows Vista, and Windows are either registered trademarks or trademarks of Microsoft Corporation in the United States and/or other countries.
 *THX is a trademark of THX Ltd. THX may be registered in some jurisdiction. All rights reserved. Surround EX is a trademark of Dolby Laboratories. Used with permission.
 *The Realta HQV is a registered trademark of Silicon Optix Inc.
 *iPod is a trademark of Apple Inc., registered in the U.S. and other countries.